

IOLIEO



MINI PROJECTOR M8

User Manual



Get support resources
and contact our US-based service team
Scan or visit IOLIEO.COM/M8

What's in the box



Projector



Remote



Cleaning toolkit



HDMI Cable



Power Cable



AV Cable

If anything is missing or not working, please text our US-based customer service team at **708 - 529 -8177**. will solve your problem ASAP.

1. Install the Projector in a right spot

- It is best to use the projector **in dark**, a light controlled room or watching at night is preferred.
- Choose a **1/4 inch** mount (tripod standard) if you are mounting it on wall, ceiling or a tripod.



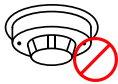
Do not block the intake or exhaust **vent**.



Avoid **hot** and **humid** sites



Avoid **Smoke** and **Dust**



Don't install near **smoke detectors**, the heat may cause a sensor failure



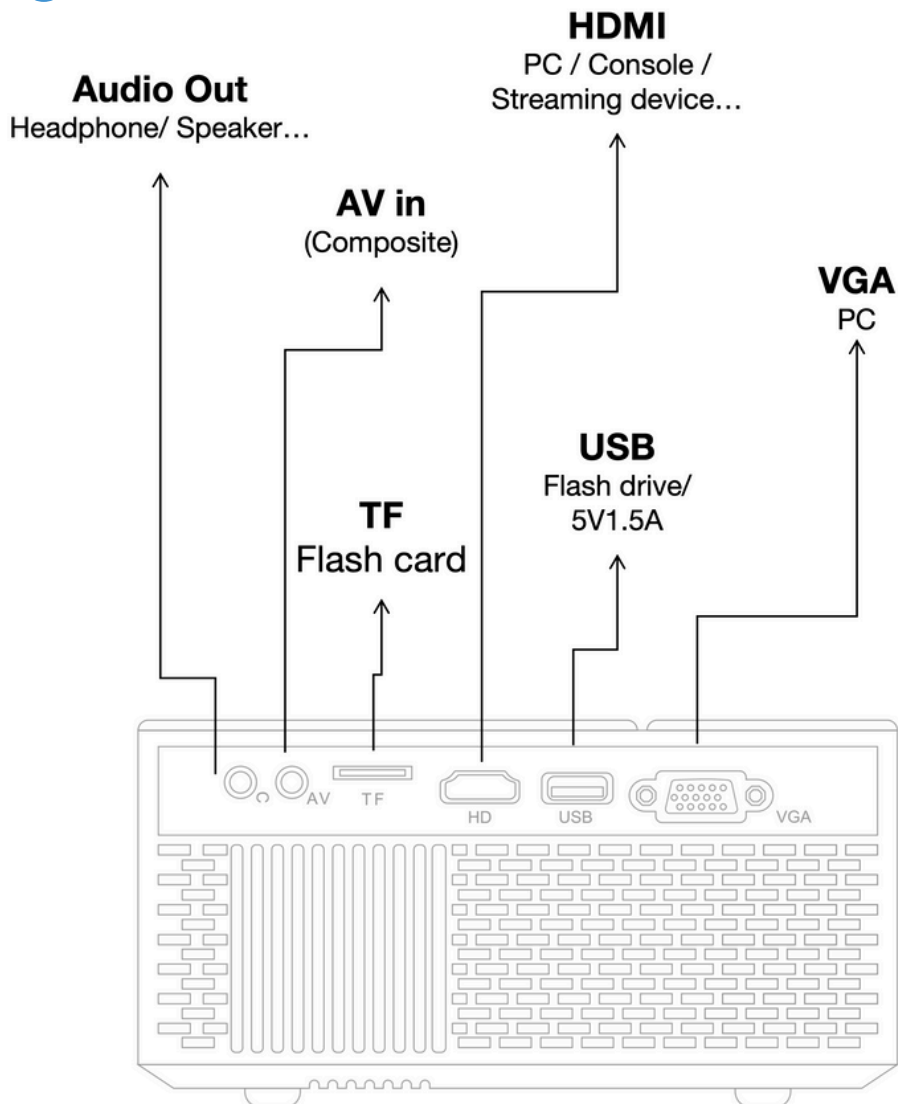
Don't install near **AC vents**, this may cause overheat

2. Connect a signal source

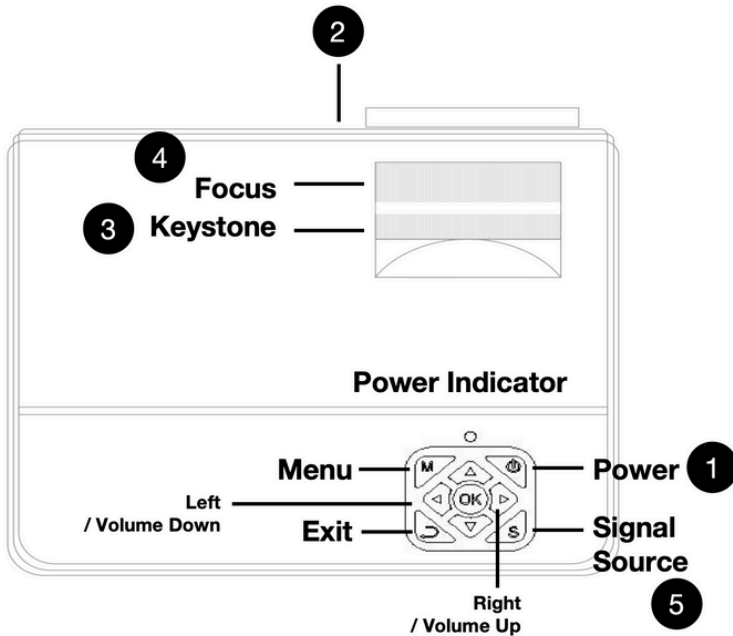


Bluetooth

setup in the menu



3.Initial Setup

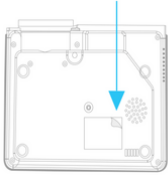


1. Power on

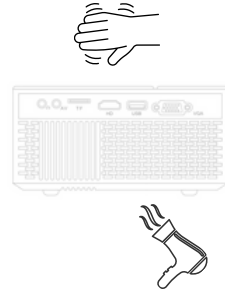
2. Use the height adjustment **knob** under the lense to adjust the height of the projection image
3. Place the projector at the **horizontal center** of the image, then adjust the **Keystone** knob to make the image a rectangle instead of a trapezoid.
4. Adjust the **Focus** knob to make the image clear
5. Use **Arrow keys** and “**OK**” to Switch to a connected signal source.
6. The left and right arrows are for **volume** control when playing.
7. Press “**M**” key to enter the menu for more settings

How to clean the optical system

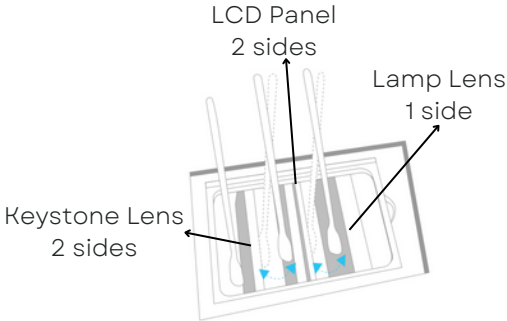
Sometimes the accumulation of dust will cause dark spots in the image. You can clean the optical system to solve this problem.



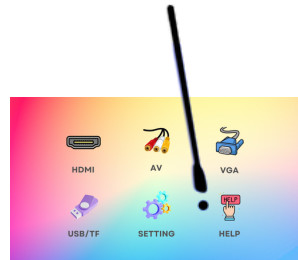
1. At the bottom side of the projector, unscrew and open the lid.



2. Gently tap the projector, and/or use a hair dryer(cool air) to remove dust.



3. If the problem remain, gently insert the cotton swab to clean the LCD Panel and lenses. Wipe all 5 sides (Adjust the **keystone** knob for easier cleaning).



4. You may need to power on the machine to locate the black spots and clean them. The lamp is very bright, Please wear sunglasses doing this.



Tested and recommended Streaming devices



Chromecast HD

- Streaming and TV services like Netflix, Disney+, Youtube...
- Wireless cast by **Chromecast** from Android/Mac/PC and supported apps on iOS (most streaming apps)



Roku Express HD

- Streaming and TV services like Netflix, Disney+, Youtube...
- Wireless cast by **AirPlay** from Apple devices and supported apps on Android/PC (most streaming apps)

Specifications

Feature	Specification
Projection Technology	LCD TFT Projection System
Display Colors	16.7 million
Power Supply	AC Input: ~100V–240V, 50/60Hz
Power Consumption	60W
Lens	Multichip Composite Coating Optical Lens
AV Input	HDMI, Composite AV, VGA
Signal Format	Global Standard
Keystone Correction	Optical ± 30 degrees
Projection Size	28–200 inches
Weight	1.01 kg
Dimensions	246 x 151 x 74.5 mm
Mounting Screw Size	1/4 inch (standard tripod size)
Audio Output	3W + 3W Speakers, 3.5 mm Audio Out
Signal Ports	Vid Input (1.0Vp-p+/-5%), VGA Input (800 x 600 @ 60Hz, 1024 x 768 @ 60Hz), HDMI Input (480i, 480p, 576i, 720p, 1080i, 1080p)
USB/TF Card Format Support	FAT, FAT32, NTFS; Video Formats: MPEG1, MPEG2, MPEG4, RM, RMVB, H264, MJPEG, DivX, FLV; Audio Formats: MP3, M4A (AAC), WMA, WAV; Image Formats: JPEG, BMP, PNG

Troubleshooting and FAQs

Connections and Compatibility

What should I do if the remote is unresponsive?

- Ensure the batteries are installed correctly and are in good condition.
- Ensure the IR receiver is not covered.

Why is the projector showing "No Signal"?

- Ensure the connected signal source is selected - make sure the device is on. Read the instructions of your video device if needed.

How can I connect my smartphone to the projector?

- It is recommended to use the AirPlay or Chromecast on streaming devices to cast your phone's screen to the projector. Third-party adapters on the market no longer support Netflix, Disney+, and other streaming apps.

When we connect the phone/computer with the projector, can we use the remote control to control the video playback?

- No, because the projected content is from the phone/computer, and the remote control cannot control them.

Why doesn't anything work when an external USB flash device is connected?

- the projector support USB drive or card under 128G with FAT/FAT32/NTFS format

Image and Audio

What should I do if the image is blurry or out of shape?

- Place the projector at the horizontal center of the projection image
- Adjust the focus and keystone knob until the best image is achieved. - The distance between the projector and the image should be 1.16m-5m (37 inches-150 inches).

What should I do if the image is upside down?

- Enter “SETTINGS” and press the right arrow button once. Enter “Rotate Front Projector.” Press the “OK” button to rotate.

Why is the image working but without audio?

- The projector or the connected device is muted. - Dolby sound is not supported. Exit and play again. - VGA connections only transmit analog video signals without audio. An external speaker is required when connected via VGA cable. - Some apps like Netflix may not work due to copyright protections. Try another app like YouTube.

Why is the audio working but without display?

- The video format is not supported by the projector. - The video may be encrypted. - If the lamp of the projector is off but audio is playing, the lamp is defective. Please contact us for a replacement. - Try another HDMI cable. - Some apps like Netflix may not work due to copyright protections. Try another app like YouTube.

What should I do if there is color distortion?

- Ensure the video source has a fine resolution.
- Adjust the colors by setting > Picture Mode > Color Temperature, then select different modes and adjust the values accordingly.

How can I adjust the display size?

- Enter "SETTINGS" >"Reduce Display 100%." Press Arrow keys to adjust the display size. You will see the size changed after switch to a signal source. Don't resize too much because this reduces brightness and definition. Try to move the projector closer if you want smaller image.

General Usage

How can I change the language?

- Press "SETTINGS" and press the Arrow keys 4 times. Enter "OSD Language English." There are 23 languages available, including Deutsch, French, Chinese, English, Italian, Spanish Japanese and more.

Why does the projector shut down by itself?

- Ensure the power cord is firmly plugged.
- Overheating protection may be activated. Check if vents are blocked and restart the projector once it cools down.
- If the LED indicator on the projector is green but the fan doesn't work, please contact the us for assistance.

What should I do if there are black dots on the display?

-That may happen because of the accumulalation of dust. Please clean the optical system using the included cleaning toolkit.



Visit our continuously updating FAQs
and more resources

Scan or visit IOLIEO.COM/M8

IOLIEO



PROYECTOR DE ESTILO DE VIDA M8

Manual del Usuario



Obtenga el manual del usuario en español y contacte a nuestro equipo de servicio en los EE.UU.

Escanee o visite IOLIEO.COM/M8-ES